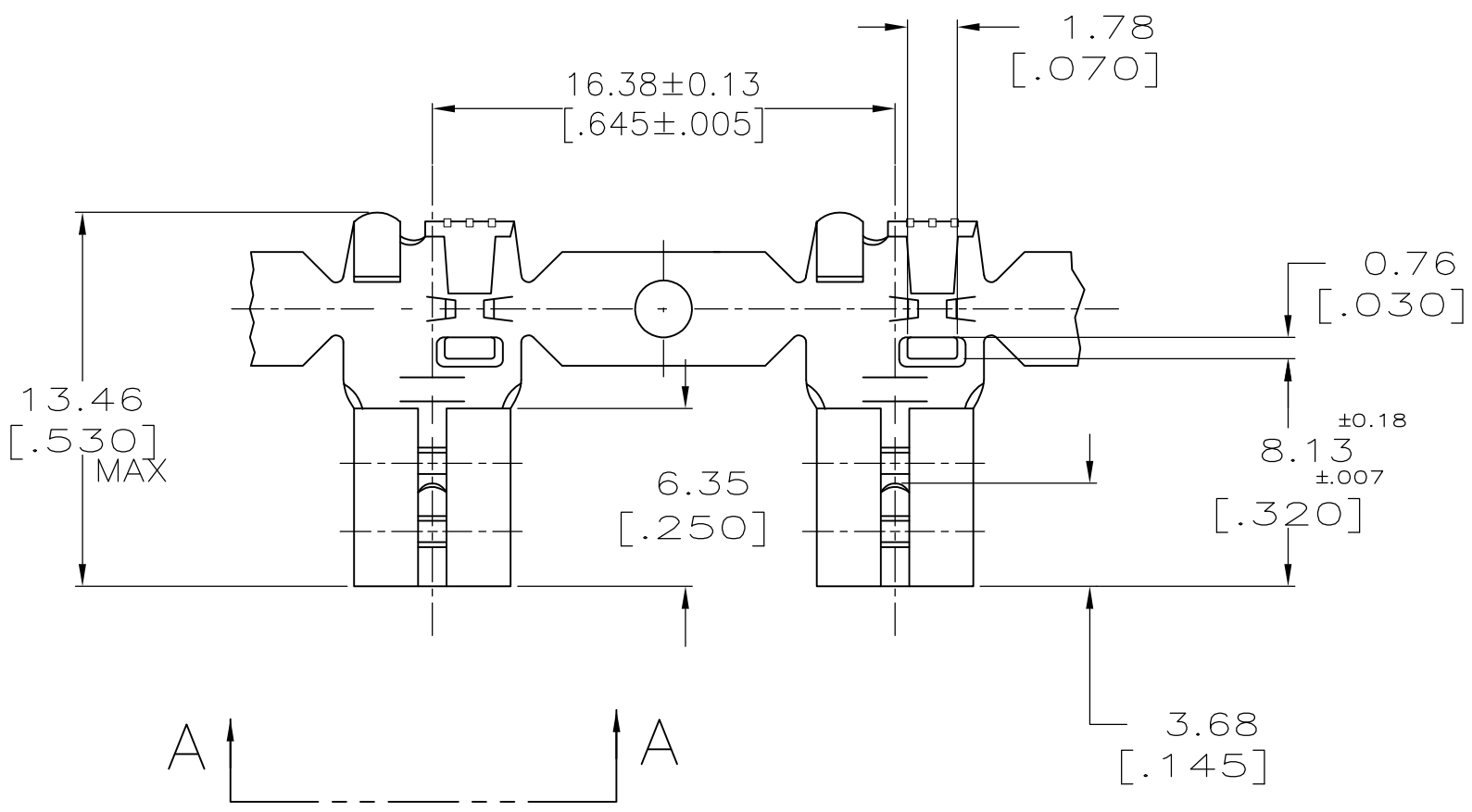
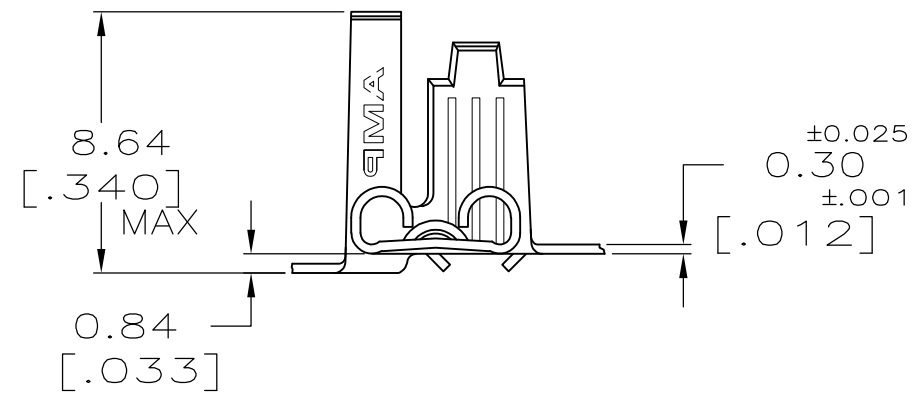
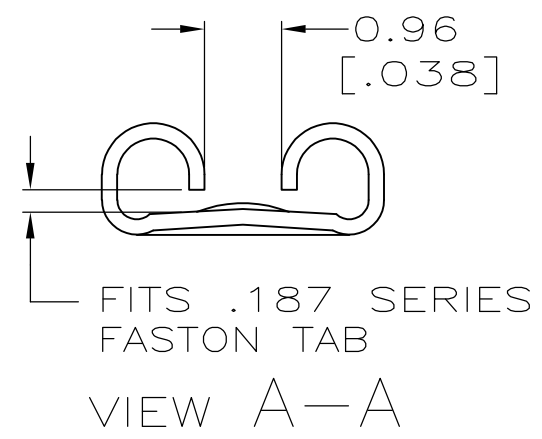


THIS DRAWING IS UNPUBLISHED. RELEASED FOR PUBLICATION
 © COPYRIGHT - By - ALL RIGHTS RESERVED.

LOC	DIST	REVISIONS			
P	LTR	DESCRIPTION	DATE	DWN	APVD
AF	50				
	K	REVISED PER ECR-12-013459	27NOV2012	KH	PD



- 1 CONTINUOUS STRIP ON REELS
- △3 SILVER PL 0.00381 [.000150] MIN THK.
- 4 WIRE SIZE IS 0.5-1.4mm [20-16] AWG
- 5 INSULATION RANGE IS 2.79-4.32 [.110-.170] DIA.
- 6 MATING TAB THK IS 0.81±0.025 [.032±.001].
- △7 PRELIMINARY - NOT FOR PRODUCTION



--	△7 62591-2
△3	62591-2
TIN	62591-1
FINISH	PART NO

THIS DRAWING IS A CONTROLLED DOCUMENT.		DWN	JR RUTH	7/23/91	STE TE Connectivity																
DIMENSIONS: mm [INCHES]		CHK	MS FEHER	7/23/91																	
TOLERANCES UNLESS OTHERWISE SPECIFIED:		APVD	D REINER	7/23/91	NAME RECEPTACLE, FASTON, 4.75 [.187] SERIES																
<table border="0"> <tr><td>0 PLC</td><td>± -</td></tr> <tr><td>1 PLC</td><td>± -</td></tr> <tr><td>2 PLC</td><td>± 0.38 [.015]</td></tr> <tr><td>3 PLC</td><td>± -</td></tr> <tr><td>4 PLC</td><td>± -</td></tr> <tr><td>ANGLES</td><td>± -</td></tr> </table>		0 PLC	± -	1 PLC	± -	2 PLC	± 0.38 [.015]	3 PLC	± -	4 PLC	± -	ANGLES	± -	PRODUCT SPEC		SIZE			CAGE CODE	DRAWING NO	RESTRICTED TO
0 PLC	± -																				
1 PLC	± -																				
2 PLC	± 0.38 [.015]																				
3 PLC	± -																				
4 PLC	± -																				
ANGLES	± -																				
MATERIAL BRASS		FINISH SEE TABLE		WEIGHT -		A3 00779 C-62591		-													
CUSTOMER DRAWING					SCALE	4:1	SHEET	1 OF 1	REV	K											